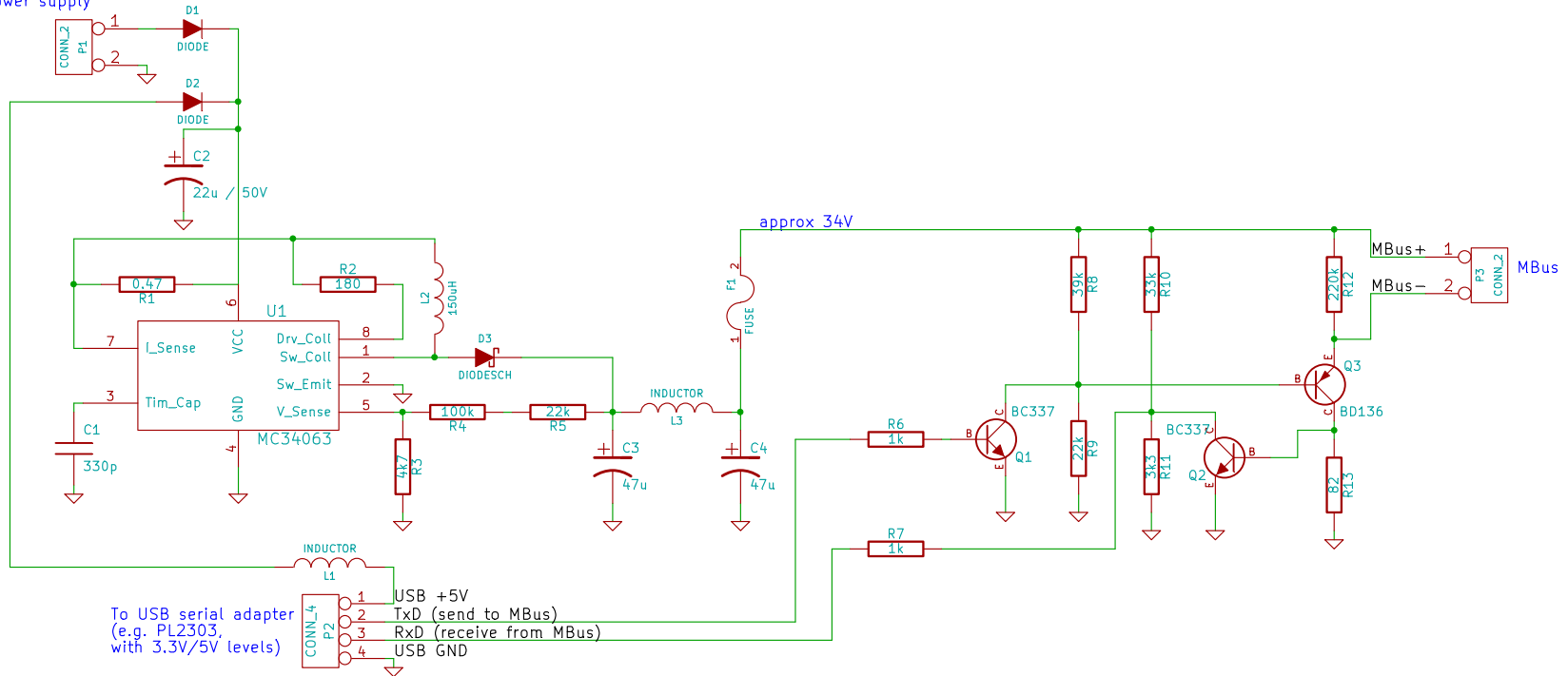


Optional external power supply



File: MBus.sch

Sheet: /

Title:

Size: A4 Date: 7 dec 2011

Rev:

KiCad E.D.A. eeschema (2011-07-08 BZR 3044)-stable

Id: 1/1